

ABOUT US

SAXUM began its activities in 1996, providing high-level engineering and project management services to the industry. Our international experience and value added multidisciplinary engineering services, including process, mechanical/piping, civil/structural, electrical, instrumentation & control engineering, as well as in project management, project control and project inspection to for the industry, allowed us to attend a growing and prominent international clientele, with emphasis on the Americas.

Our project management procedures have demonstrated high effectiveness to meet clients' needs, while achieving the demanding targets of their projects. These unique features allow **SAXUM** to be involved in the most relevant projects of the industries in the Americas, and to appropriately respond to the growing customer demands in the region.

MISSION

To provide high-quality engineering and project/construction management services to the industry. We timely meet the demanding technical needs of our customers with accuracy, quality and cost effective solutions during all stages of their projects, from Pre-Feasibility to construction/erection. We promote training and continuous improvement of our professionals to achieve excellence in engineering and procedures.

VISION

To enhance our clients' bottom-line results through efficient engineered solutions and management, and accurate cost estimates and planning for their industrial projects, every time, everywhere.



WE OFFER

PROCESS AND ENVIRONMENTAL ENGINEERING FOR THE INDUSTRY

MECHANICAL ENGINEERING: PLANT DESIGN, PIPING, DUCTWORK, MATERIAL HAND, CRUSHING/GRINDING SYSTEMS

CIVIL AND STRUCTURAL ENGINEERING

ELECTRICAL, INSTRUMENTATION & CONTROL ENGINEERING

FRACKING ANALYSES OF OIL & GAS RESERVOIRS BASED ON HIGHLY ACCURATE MATHEMATICAL MODELS



ABOUT US / SERVICES

We differentiate our self from other engineering companies by offering strong expertise and knowledge in E.P. & C.M. services for the industry. Our services are characterized by high level project management, project control and multidisciplinary engineering teams, which allow our clients to rely on our way to execute their projects with a focus on delivering either refurbished or new facilities within realistic and accurate schedules and budgets as well as optimal technical solutions.

PLANNING

FEASIBILITY STUDIES

AUDITING

PROJECT MANAGEMENT

ENGINEERING

EPCM

SITE SERVICES

TRADE OFF STUDIES



OUR CLIENTS



OUR CLIENTS

NORTH AMERICA

St Marys Cement Inc.	BUZZI UNICEM
Cementos Fortaleza	GCC
CEMEX	VOTORANTIM
Drake Cement	TKS Group
FLS USA	HEIDELBERG CEMENT
LAFARGE - HOLCIM	GIANT CEMENT
Lattimore Materials Corp.	RECON
Chesapeake Energy	

EUROPE

LAFARGE - HOLCIM
Italcementi
CIMPOR
Cimentos Molins
Fives FCB
Cementos Portland Valderribas
CEMEX

ASIA

LAFARGE-HOLCIM
Intercement
SINOMA

DOMINICAN REPUBLIC

Grupo Estrella

MIDDLE EAST & AFRICA

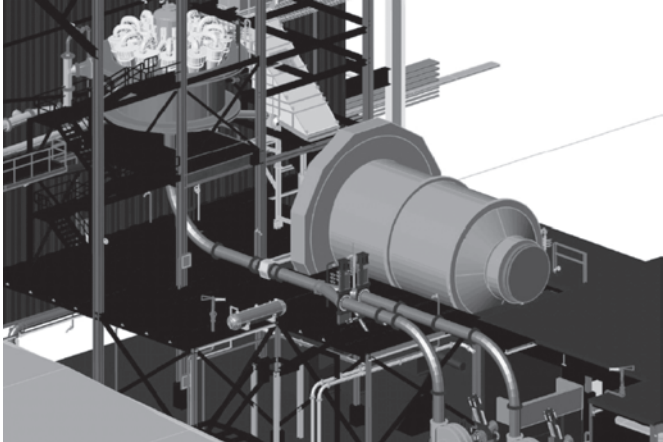
Bilfinger & Berger
QN Cement Company
Intercement
VOTORANTIM
FLSmith

AUSTRALIA

Ernest Henry Mining
(GlencoreXstrata)

GENERAL CAPABILITIES

WE PROVIDE ENGINEERING SERVICES FROM CONCEPT TO REALITY



- SCOPING STUDIES AND TRADE OFF ANALYSIS

- CAPEX AND OPEX STUDIES

- COMPLETE ENGINEERING: CONCEPTUAL, BASIC AND DETAILED

- PROCESS, MECHANICAL/PIPING/DUCT, CIVIL/STRUCTURAL, ELECTRICAL, I&C ENGINEERING

- SCHEDULE DEVELOPMENT

- MAIN PROCESS EQUIPMENT BID DOCUMENT PREPARATION

- AUXILIARY EQUIPMENT SELECTION ASSISTANCE

- CONSTRUCTION BID DOCUMENT PREPARATION

- PROCUREMENT

- CONSTRUCTION MANAGEMENT

- SITE SUPERVISION

PROCESS ENGINEERING AND PLANT OPTIMIZATION

- PROCESS AUDITING, CAPACITY UPGRADES

- TROUBLESHOOTING

- OPERATIONS ANALYSIS

- PROCESS CALCULATIONS AND FLOW DIAGRAMS

- PROCESS SELECTION AND EQUIPMENT SIZING

- ANALYSIS OF OPTIMUM MATERIAL STORAGE REQUIREMENTS

- DEVELOPMENT OF COST-EFFECTIVE ENGINEERING SOLUTIONS

- COMMISSIONING



MECHANICAL ENGINEERING AND PLANT DESIGN

- SYSTEMS INTEGRATION WITH MULTIPLE VENDORS

- PLANT LAYOUTS

- GENERAL ARRANGEMENTS

- EQUIPMENT TECHNICAL EVALUATIONS

- EQUIPMENT SIZING AND CAPACITY DETERMINATION

- EQUIPMENT AND INSTALLATION SPECIFICATIONS

- DUCT WORKS

- ENGINEERING DESIGN:
 - PIPING SYSTEMS
 - MATERIAL HANDLING SYSTEMS
 - PROCESS EQUIPMENT LAYOUTS



CIVIL AND STRUCTURAL ENGINEERING

- STRUCTURAL ANALYSIS & DESIGNS (INCLUDING HIGH SEISMIC AND HURRICANE ZONES) FOR INDUSTRIAL PLANTS

- EVALUATION AND IMPLEMENTATION OF GEOTECHNICAL REPORTS

- STRUCTURAL DESIGN BASED ON VIBRATION MITIGATION

- DYNAMIC FOUNDATION ANALYSIS

- STRUCTURAL RELIABILITY STUDIES

- STRUCTURAL PATHOLOGY STUDIES

- DESIGN OF REINFORCED CONCRETE AND STEEL STRUCTURES

- CONCRETE AND METAL DOMES

- CONCRETE SILOS AND BUNKERS

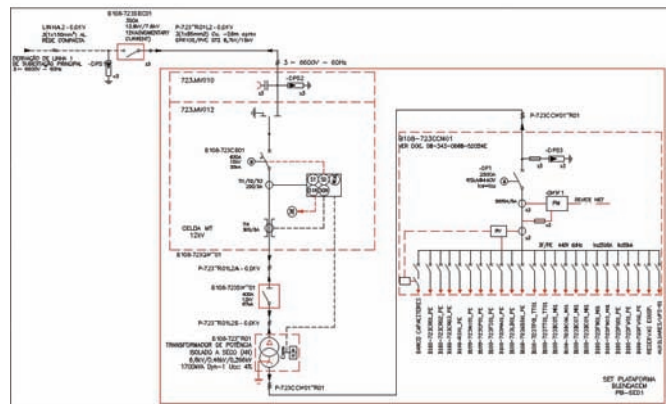
- STEEL BINS AND HOPPERS

- TUNNELS AND UNDERGROUND STRUCTURES



ELECTRICAL ENGINEERING

- POWER DISTRIBUTION SYSTEMS
- INSTRUMENTATION AND CONTROLS
- HMI INTERFACE COORDINATION
- PLC PROGRAMMING
- MOTORS (MEDIUM VOLTAGE AND LOW VOLTAGE)
- MEDIUM VOLTAGE STARTERS AND BREAKERS
- TRANSFORMERS
- MOTOR CONTROL CENTERS
- SHORT CIRCUIT ANALYSIS
- POWER STUDIES



PROJECT MANAGEMENT

SAXUM provides Professional Project Management services to our clients, based on PMI best practices and clear procedures, highly experienced personnel, and clear understanding of our clients needs and expectations. Our Project Managers act as the primary contact, as well as the overall responsible for coordination of all project activities, both in office and in the field.

SAXUM's Project Management processes have been designed and improved through the years, and based on lessons learned on previous projects to ensure successful implementation and execution of the contracted scope of work.

SAXUM manages projects focused on meeting the client's goals for Cost, Schedule, Quality and Safety. Conscious of risks and showing the ability to respond to client needs with efficient solutions.

Client's needs set the Vision that will be the basis for SAXUM's Project Managers to coordinate and lead all parties involved in the projects, to follow the Project Execution Plan through Project Initiation, Planning, Execution, Monitoring and Closure.

SAXUM SUCCESSFUL PROJECT MANAGEMENT IN BASED ON

PRECISE PROJECT UNDERSTANDING AND SCOPE INFORMATION

TRACKING PERFORMANCE AND TAKING NECESSARY ACTIONS

COMPLETE, TIMELY AND ACCURATE INFORMATION

CLEAR AND OPEN COMMUNICATION

TEAM COMMITTED TO THE PROJECT AND CLIENT OBJECTIVES



CONSTRUCTION MANAGEMENT

SAXUM 's Construction Management is the core of the company's services. It involves the direction, regulation and supervision of a project from early development to its completion and is responsible for planning work schedules, coordinating the most efficient method and construction strategies and budgeting.

The team is composed of multidisciplinary professionals that allow us to administer the different disciplines, such as: Civil/Structural, Mechanical, Electrical and Instrumentation, Safety, Contracts, Administration, Commissioning, etc.

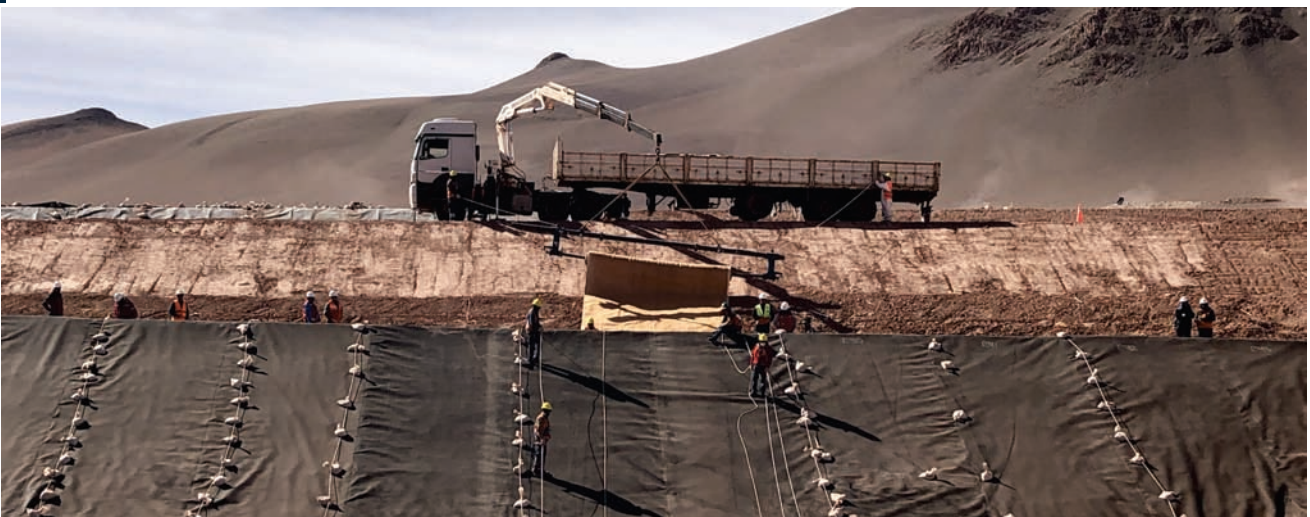
Our experience, strong focus to project objectives, and the mutually reinforcing joint-work between our professionals of all different departments, allows us to be the tailor-made solution for our customers' EPCM projects.

PROJECT SUCCESS

SAXUM's Construction Management team knows that Project Success is all about organization, planning and follow-up work to achieve the results that comply with client requirements and design criterias. These are all challenging tasks, particularly in the mining industry at high altitudes, where we find sensitive environments that include special local communities and cultures, harsh weather, and strong technical and logistics difficulties.

RESOURCES

To achieve a successful project under these tough conditions, SAXUM has all the necessary resources to be strongly focused in safety and environmental control, strong planning in advance (FEL – PDRI), excellent Project Control, field supervision and administration management. The key word for SAXUM, as EPCM and project integrator, is Team Work, that include all project's stakeholders: client, EPCM, contractors, consultants, vendors, local authorities and communities, unions, etc.



PROJECT CONTROL

SAXUM manages all aspects of the construction process, from the initial design phase to the end. Throughout, we maintain constant communication between all parties, while satisfying the interests and needs of the owner. SAXUM's Project Control Teams offer their clients a wide range of project management services. The services are adapted to each project to meet the needs and wishes of the owner. The following list represents a general description of our project management services:

PROGRAMMING

Project Control has extensive experience in selecting and directing programming consultants. This experience in working with programmers will insure that the owner's facility needs are clearly determined and defined.

SCHEDULING

Our experience in managing the entire process, not just any segment, allows us to prepare reliable project schedules for both the design and construction phases early in the project development stage.

CONSULTANT SELECTION

Project Control assists the owner in selecting the most qualified consultants for various projects by preparing requests for proposals, evaluating the proposals and making recommendations to the owner.

MONITORING

To finish a project on time, within budget and with the desired quality, professional monitoring on a daily basis is necessary.

EARNED VALUE

SAXUM work's constantly with the owner and design team during the completion of documents to review savings opportunities while the project design is being developed. SAXUM uses the Earned Value Management System Technique.

REPORTING

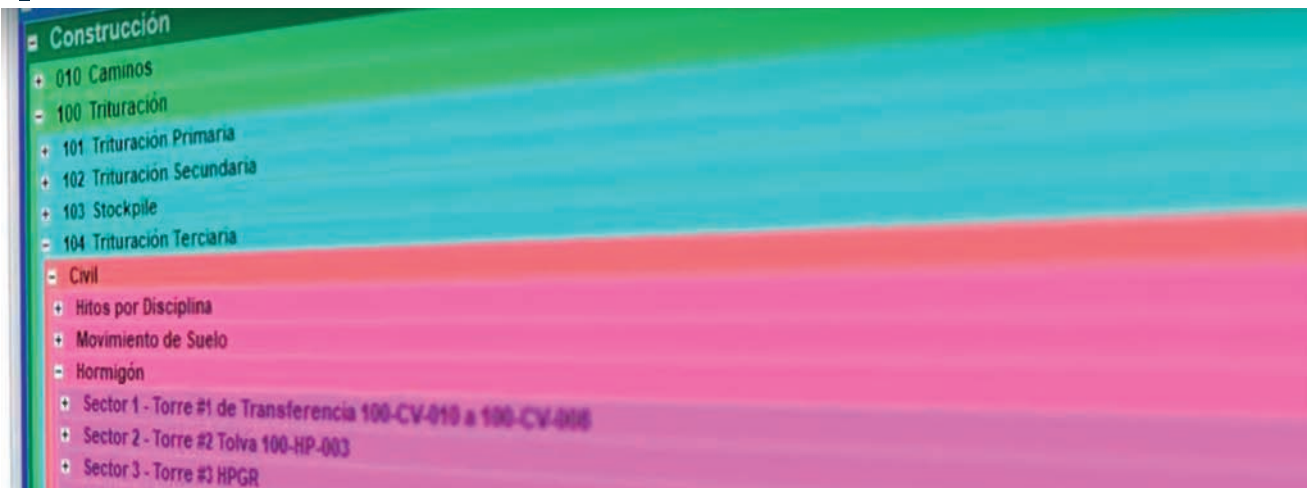
SAXUM prepares written monthly status reports for distribution to the appropriate parties. The reports address the current status of each individual project.

CONTRACTING

Project Control has prepared and negotiated hundreds of contracts for owners on over 100 projects with an aggregate value of over millions dollars. Our contracts have been developed from the owner's perspective for the benefit of the project.

CLOSE OUT

During final stages of project completion, Project Control closely monitors the activities of the contractor to make certain that punch list items are promptly completed.



PROCUREMENT & LOGISTICS

SAXUM's team of multidisciplinary professionals has extensive experience in procurement services supported by our first class engineering team which covers all technical disciplines. Our procurement services are based on proven procedures and cover a wide range of activities, from the preparation of bidder lists and contractual terms, to expediting, logistics and QA/QC.

SAXUM's procurement team provides our client an integral and detailed service to assure the fulfilment of projects objectives regarding quality, cost and schedule. Our team has proven ability to complete the acquisition of all items and close all contracts of highly complex industrial projects within short time-frames, and in the framework of project budget and quality.

SUPPLY CHAIN ACTIVITIES

- HIGHLY EXPERIENCED PROFESSIONALS
- PURCHASING & ACQUISITIONS
- VENDOR DEVELOPMENT & AUDITS
- CONSULTING SERVICES
- PROCESSES AND PROCEDURES
- INTERNATIONAL IMPORTS & EXPORTS
- CUSTOMS CLEARANCE CONSULTING SERVICES
- LOGISTICS - DOMESTIC & INTERNATIONAL
- CONTRACTING & OUTSOURCING
- CONTRACT MANAGEMENT & ADMINISTRATION
- COSTS AND BUDGETING PROJECTS
- MATERIALS MANAGEMENT
- KPI'S



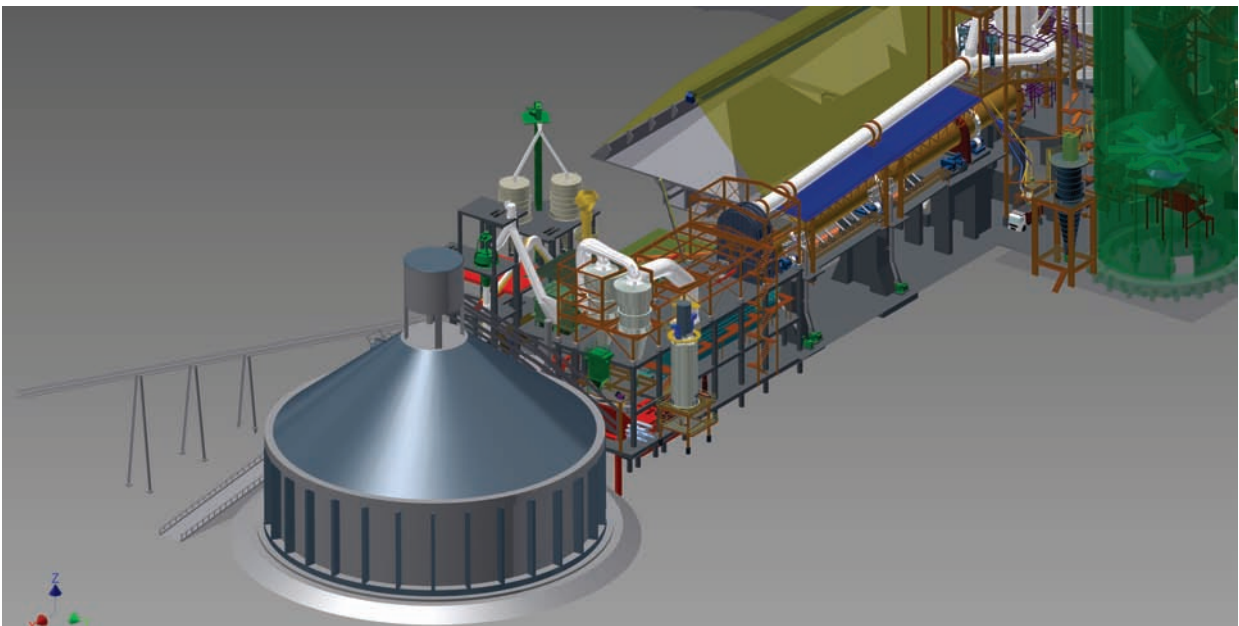
ENGINEERING/FABRICATION INTEGRATION

INTEGRATION OF EQUIPMENT ENGINEERING WITH THE CIVIL, MECHANICAL FABRICATION AND ELECTRICAL ENGINEERING

SHOP DRAWING REVIEWS

FABRICATION SHOP INSPECTIONS

COORDINATION OF MANUFACTURE OF MATERIALS FOR CONSTRUCTION AND DELIVERY TO WORK SITES



ADVANTAGES OF WORKING WITH US

TOTAL RESOURCES IN HOUSE

LEADERSHIP IN MULTIDISCIPLINARY ENGINEERING

DEEP KNOWLEDGE OF STANDARDS AND CONSTRUCTIVE PROCEDURES

ENGINEERING MANAGEMENT ORIENTED TO SATISFY CLIENT TECHNICAL NEEDS

EXTENSIVE EXPERIENCE IN VALUE ENGINEERING FOR INDUSTRIAL PROJECTS

ACCURATE BUDGETS, SCHEDULES AND COST CONTROL



Most Relevant Projects

COMPANY	OBJECTIVES	LOCATION	BUDGET
CSN - Companhia Siderurgica Nacional Brasil	Basic and detailed engineering for New Line production in Arcos Plant. M/H Saxum = 66,700hr	Arcos, MG Brasil	560 MM USD
FMC - Minera del Altiplano- Argentina.	Production Expansion Project Plant Sales in Salar del Hombre Muerto. M/H Saxum = 14,300 hr	Salar del Hombre Muerto. SaltaArgentina	25 MM USD
YMAD - Yacimientos Minerales Aguas de dionsio	Pre-Feasibility Study for Upgrade of Farallon Negro plant.CapEx and OpEx Studies.Trade off studies for alternative production . Design of the new refinery . M/H Saxum = 15,000 hr	Catamarca Argentina	75 MM USD
CSN - Companhia Siderurgica Nacional Brasil	Basic and detailed engineering and construction supervision. New Grinding System (Mills # 2 and # 3). Arcos plant . M / H Saxum = 43,500 hr	Arcos MG Brasil	73 MM USD
Minera IRL Patagonia S. A. Gold-Silver Mining Plant	Don Nicolas Gold-Silver Project. Pre -Feasibility Phase: Process Engineering, Mechanical, Civil and Electrical CapEx and OpEx Studies.Feasibility phase: Design of Infrastructure. M/H Saxum = 21,000 hr	Santa Cruz Argentina	75 MM USD
Minera EXAR S. A.	Lithium Project Salar de Cauchari.Engineering Services and Procurement . Feasibility phase : Revision of Basic Engineering . M / H Saxum = 3,500 hr	Jujuy Argentina	250 MM USD
Votorantim Brasil	Detailed engineering and integration for new production line .Plant Salto de Pirapora .San Pablo .Brasil . M/ H Saxum = 16,600 hr	Sao Pablo Brasil	340 MM USD

Most Relevant Projects

COMPANY	OBJECTIVES	LOCATION	BUDGET
Intrepid Mines Ltd.	Casposo Gold -Silver Project. EPCM contract .Basic Engineering ; CapEx / OpEx Studies; Environmental impact ; Procurement (1st phase); Field supervision (1st phase). M/ H Saxum = 35,000 hr	San Juan Argentina	83 MM USD
Panamerican Silver Corporation	Manantial Espejo project . Basic and detailed Engineering in all specialties. M/ H Saxum = 83,000 hr	Santa Cruz Argentina	250 MM USD
Southern Peru Copper	Gas Management Project and Environment in Ilo plant , Southern Peru Copper , Moquegua , Peru. M/ H Saxum = 8,600 hr	Ilo, Moquegua Peru	67 MM USD
Xstrata Copper Chile	Detailed engineering Moliendas Elementary and Secondary Truck Shop. Plant Tintaya Antapaccay expansion , Peru. M/H Saxum = 8,900 hr	Tintaya Peru	950 MM USD
Minera Alumbreira Ltd	Engineering for New Provision of Water Pipes DCP recovery . M/H Saxum = 5,200 hr	Catamarca Argentina	9,5 MM USD
Eramet Ingenierie	Basic Engineering for Evaluation CapEx and OpEx of new lithium carbonate plant - Salinas Grandes . M/H Saxum = 9,400 hr	Salta Argentina	160 MM USD
Oroplata S.A.	Engineering for wastewater treatment plant underground mine Eureka. M/H Saxum = 9,400 hr	Santa Cruz Argentina	7 MM USD

Most Relevant Projects

COMPANY	OBJECTIVES	LOCATION	BUDGET
Cerro Vanguardia Ltd	Engineering and project supervision for Heap Leach and grinding for 285 tph . M/H Saxum = 17,600 hr	Santa Cruz Argentina	26 MM USD
Eramet Ingenierie	Feasibility study for a Lithium Carbonate and a Potassium Chloride Plant. M/ H Saxum = 35,000 hr	Salta Argentina	165 MM USD
Minera Alumbra Ltd.	Rougher feeding cells . M/ H Saxum = 7,300 hr	Catamarca Argentina	4,2 MM USD
Itacamba Cemento S.A., Bolivia	New clinker and cement lime. Santa Cruz de la Sierra , Bolivia . M/ H Saxum = 24,300 hr	Santa Cruz Bolivia	160 MM USD
Bolera Minera SRL	Feasibility studies and detailed engineering for a lithium evaporation pilot plant. M/ H Saxum = 4,600 hr	Salta Argentina	2,3 MM USD
Xstrata Copper Peru	Feasibility studies and engineering for building roofs mill and flotation area . M/ H Saxum = 4,600 hr	Tintaya Peru	28 MM USD
MONSANTO Peru	Construction management for "Seminis" seeds conditioning plant. M/ H SAXUM= 11200 hr	Peru	12 MM USD
MONSANTO Argentina	On site engineering and construction management for plant expansions in Pergamino and Rojas. Structural vibrations analysis in seeds classification building in Rojas plant.M/ H SAXUM= 8000hr	Argentina	5 MM USD

Most Relevant Projects

COMPANY	OBJECTIVES	LOCATION	BUDGET
Mansfield Minera SA	<p>Complete EPCM services of the Lindero gold mine Project:</p> <ul style="list-style-type: none"> Detailed Engineering for the construction of the entire project (Civil, Structural, Mechanical, Piping, Electrical and Instrumentation and Architectural). Procurement services to develop the specifications, bidding process and the purchase of all equipment and services necessary. Construction Management services at different stages with the objective of ensuring the coordination and correct execution plan in accordance with the Master Schedule, CAPEX and updates. <p>M/ H SAXUM= 156.000 hr</p>	Salta Argentina	350 MM USD
PROCTER & GAMBLE	<p>"Serendipity" project. In Pilar plant. Basic and Detailed mechanical, piping, electrical and structural engineering. Bid documents generation and Vendors technical proposals evaluation.</p> <p>M/ H SAXUM= 4700 hr</p>	Argentina	9 MM USD
PROCTER & GAMBLE	<p>"Hercules & Regenerist" project. In Pilar Plant. Basic and Detailed mechanical, piping, electrical and structural engineering. Bid documents generation and Vendors technical proposals evaluation. Liquid healthcare products (detergents, soaps and shampoos) tank farm expansion.</p> <p>M/ H SAXUM= 2600 hr</p>	Argentina	14 MM USD
FERROSUR ROCA	<p>Structural review of the reinforcement and repair of the rail bridge on the Riachuelo river, Buenos Aires.</p> <p>M/ H SAXUM= 2800 hr</p>	Argentina	1,2MM USD

Most Relevant Projects

COMPANY	OBJECTIVES	LOCATION	BUDGET
PLUSPETROL	Power plant in Tucumán province. Structural verification of plant buildings and load lifting devices.	Argentina	5 MM USD
MOLINOS RIO DE LA PLATA	Engineering and Project Management services for 25th and 26th grain cells repairing Project, Santa Clara plant. M/ H SAXUM= 1200 hr	Rosario Argentina	3MM USD
AGD	Detail engineering for construction and assembly for transport systems, "Peanut Shell – FW boiler" Project. M/ H SAXUM= 65000hr	General Deheza Argentina	9 MM USD
BUNGE ARGENTINA	Engineering and Project Management services for hot shelling soybeans Project.	Argentina	2 MM USD
BILFINGER & BERGER	New residential block project in Doha. Diagnosis and constructive remediation recommendations for structural pathologies in Two 18000 m ³ potable water reservoirs, and Floor slabs in housing buildings	Qatar	10 MM USD
DYCASA ARGENTINA	Engineering design of underground stations of Line H, Buenos Aires. M/ H SAXUM= 16500 hr	Buenos Aires Argentina	4,5 MM USD
HOCHTIEF AG FRANKFURT GERMANY	Structural design for the upgrade of the BIBLIS Nuclear Plant and structural dynamic analysis for aircraft impact loading.	Germany	

OUR CLIENTS



OUR CLIENTS





CONTACT US

United States

Dallas, Texas

Office: +1 972 727 3331

Fax: +1 972 717 3137

Mob: +1 9728760584

+1 9723753577

chris.hayman@saxum.us

kevin.blankenship@saxum.us

Australia

Perth, WA

Office: +61 047 444 0235

Mob: +61 047 444 0235

melanie.etse@saxuming.net

Brasil

Belo Horizonte

Office: +55 31 3309 4578

Mob: +55 11 9764 89327

+55 11 9915 76066

eloy.amarante@saxuming.net

Argentina

Buenos Aires & Tucumán

Offices: +54 381 4874929

+54 11 43721815

Mob: +54 911 58831583

+54 911 50115333

constanza.unzaga@saxuming.net

marcelo.ansardi@saxuming.net